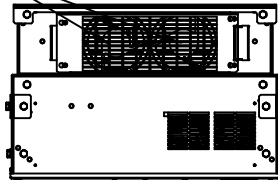
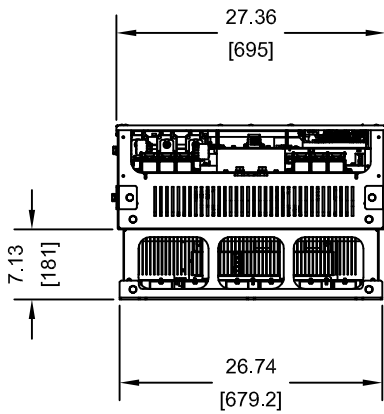
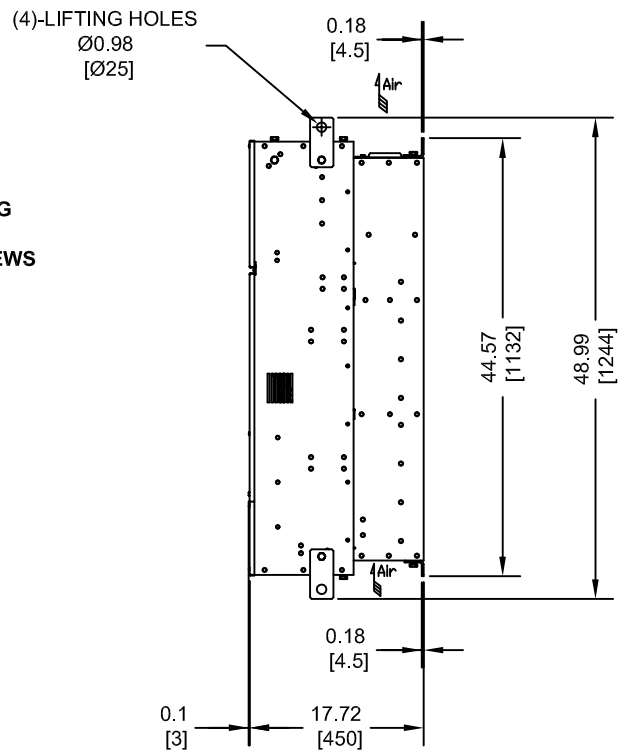
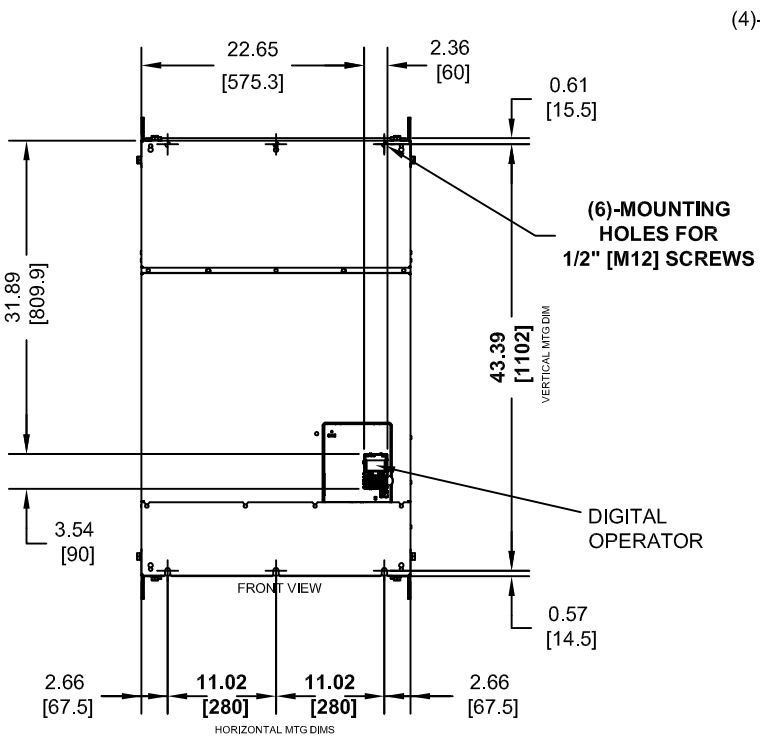


(2) EXTERNAL COOLING FANS



NOTE:
SPREADER BAR REQUIRED TO AVOID DAMAGE DURING LIFTING



MODEL # CIMR-UU	VOLTAGE 3-PHASE (VAC)	OUTPUT CURRENT (A)		WEIGHT LBS (Kg)	WEIGHT WITH EMC FILTER LBS (Kg)	HEAT LOSS (W)					
		ND	HD			ND (Fc=4kHz)			HD (Fc=4kHz)		
						INT	EXT	TOT	INT	EXT	TOT
4Y0302AXX	380/500*	302	240	560 (259)	587 (267)	857	5202	6059	689	3867	4556
4Y0361AXX		361	302	560 (259)	587 (267)	863	5434	6297	735	4384	5119
4Y0414AXX		414	361	560 (259)	587 (267)	1012	6444	7456	902	5563	6465

NOTES:
Y DENOTES A-Z
XX DENOTES AA-ZZ
* - FOR MODELS WITH INTEGRAL EMC FILTER,
VOLTAGE RATING IS 380/480.

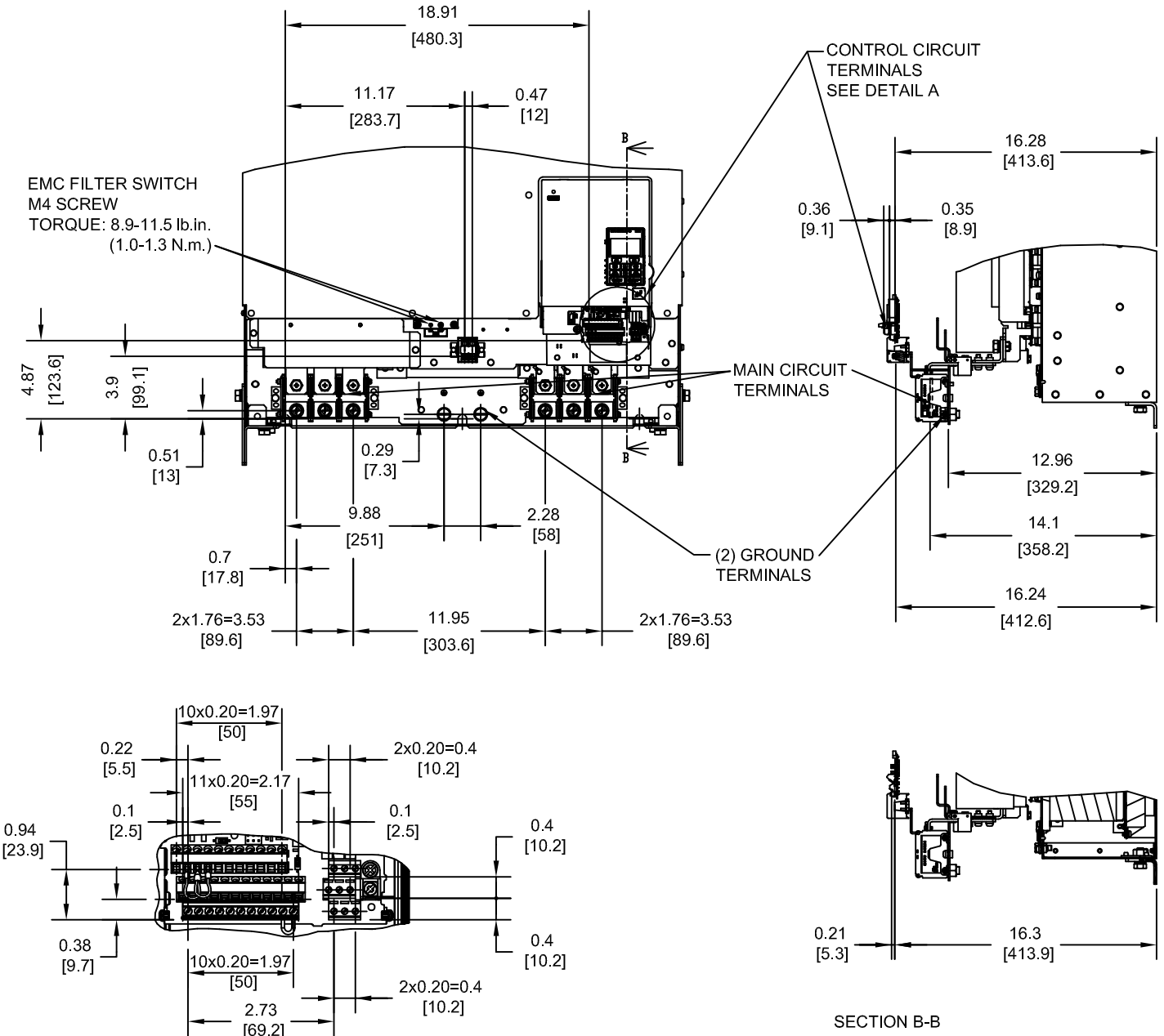
INT=INTERNAL COMPONENTS
EXT=EXTERNAL HEATSINK
TOT=TOTAL

FOR ADDITIONAL DETAILS AND SPECIFICATIONS, CONSULT MANUAL

TOLERANCES / REFERENCES:		<p>THIS DOCUMENT AND INFORMATION CONTAINED IN IT ARE CONFIDENTIAL, AND CANNOT BE COPIED OR DISCLOSED IN WHOLE OR IN PART WITHOUT THE EXPRESS WRITTEN CONSENT OF YASKAWA AMERICA, INC.</p>	DRAWN: J. MATTAS CHECKED: J. PIOTROWSKI TECH: J. BORJA APPROVED: J. CAIRO ORIGINAL DESIGN: -	DATE: 11-13-14 DATE: 11-19-14 DATE: 11-20-14 DATE: 12-11-14 DATE: -	TITLE: U1000 DIMENSION DRAWING FRAME SIZE 5 IP00 ENCLOSURE 4A0302, 4A0361 AND 4A0414 SIZE: A REVISION: R01 PAGE: 1 of 4 DRAWING #: DD.U1K.FR5.IP00
UNITS: IN[mm]	SCALE: 1:20				

TERMINAL AND WIRING INFORMATION FOR: UU4A0302A AND UU4A0361A

TERMINAL AND WIRING DETAILS (SCALE 1:10)



DETAIL A (SCALE 1:3)
CONTROL CIRCUIT
TERMINALS

TERMINAL AND WIRE SPECIFICATIONS FOR MAIN CIRCUIT AND GROUND

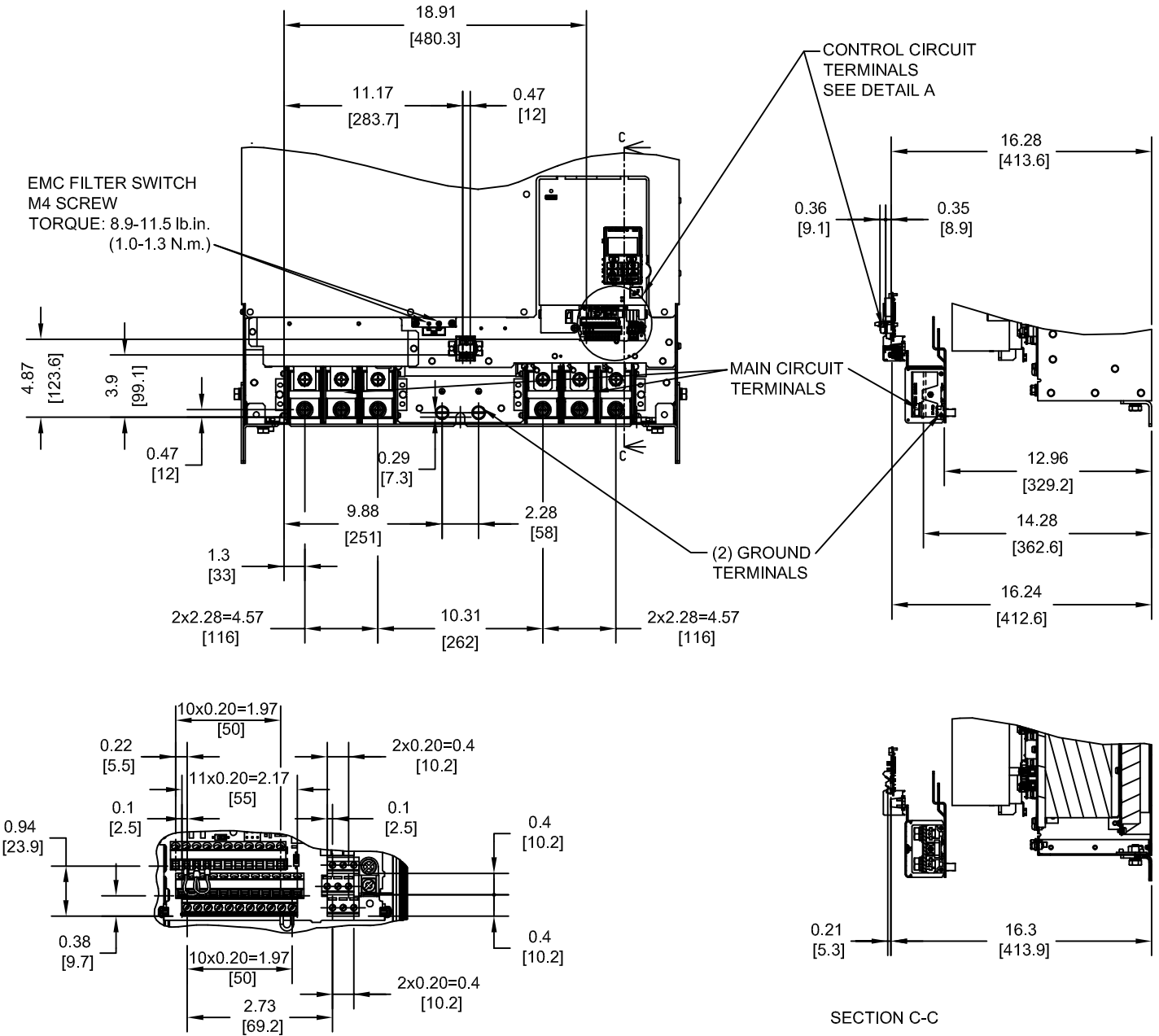
MODEL # CIMR-UU	TERMINAL SYMBOL	TERMINAL SCREW	CLAMPING TORQUE lb.in.(N.m.)	WIRE RANGE AWG(mm ²)	
4A0302 4A0361	R/L1, S/L2, T/L3	M10	133 TO 177 (15 TO 20)	(2)10 TO 4/0 (6 TO 95)	
	U/T1, V/T2, W/T3				
	p1, n1	M4		10.6 TO 17.7 (1.2 TO 2.0)	14 TO 12 (2.5 TO 4)
	⊕	M12		278 TO 347 (31.4 TO 39.2)	1 TO 300 (35 TO 150)

NOTE: REFER TO APPLICABLE CODES FOR PROPER WIRE TYPE AND SIZE

TOLERANCES / REFERENCES:			DRAWN: J. MATTAS CHECKED: J. PIOTROWSKI TECH: J. BORJA APPROVED: J. CAIRO ORIGINAL DESIGN: -	DATE 11-13-14 DATE 11-19-14 DATE 11-20-14 DATE 12-11-14 DATE -	TITLE: U1000 DIMENSION DRAWING FRAME SIZE 5 IP00 ENCLOSURE 4A0302, 4A0361 AND 4A0414 SIZE A REVISION R01 PAGE 2 of 4
UNITS: IN[mm]	SCALE: BY VIEW		THIS DOCUMENT AND INFORMATION CONTAINED IN IT ARE CONFIDENTIAL, AND CANNOT BE COPIED OR DISCLOSED IN WHOLE OR IN PART WITHOUT THE EXPRESS WRITTEN CONSENT OF YASKAWA AMERICA, INC.	DRAWING #: DD.U1K.FR5.IP00	

TERMINAL AND WIRING INFORMATION FOR: UU4A0414A

TERMINAL AND WIRING DETAILS (SCALE 1:10)



DETAIL A (SCALE 1:3)
CONTROL CIRCUIT
TERMINALS

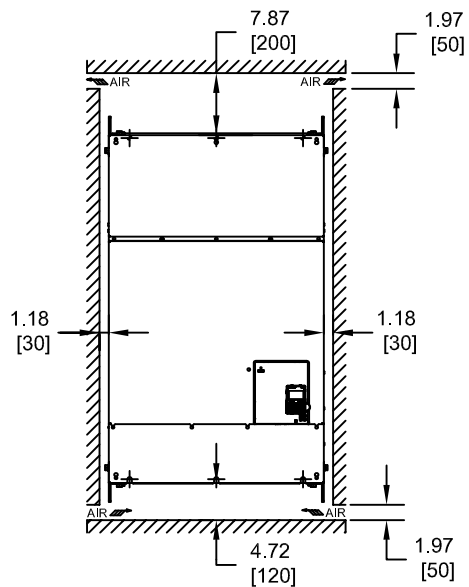
TERMINAL AND WIRE SPECIFICATIONS FOR MAIN CIRCUIT AND GROUND

MODEL # CIMR-UU	TERMINAL SYMBOL	TERMINAL SCREW	CLAMPING TORQUE lb.in.(N.m.)	WIRE RANGE AWG(mm ²)
4A0414	R/L1, S/L2, T/L3	M12	221 TO 310 (25 TO 35)	(2)8 TO 300kcmil (10 TO 150)
	U/T1, V/T2, W/T3			
	p1, n1	M4	10.6 TO 17.7 (1.2 TO 2.0)	14 TO 12 (2.5 TO 4)
	⊕	M12	278 TO 347 (31.4 TO 39.2)	1/0 TO 450 (50 TO 240)

NOTE: REFER TO APPLICABLE CODES FOR PROPER WIRE TYPE AND SIZE

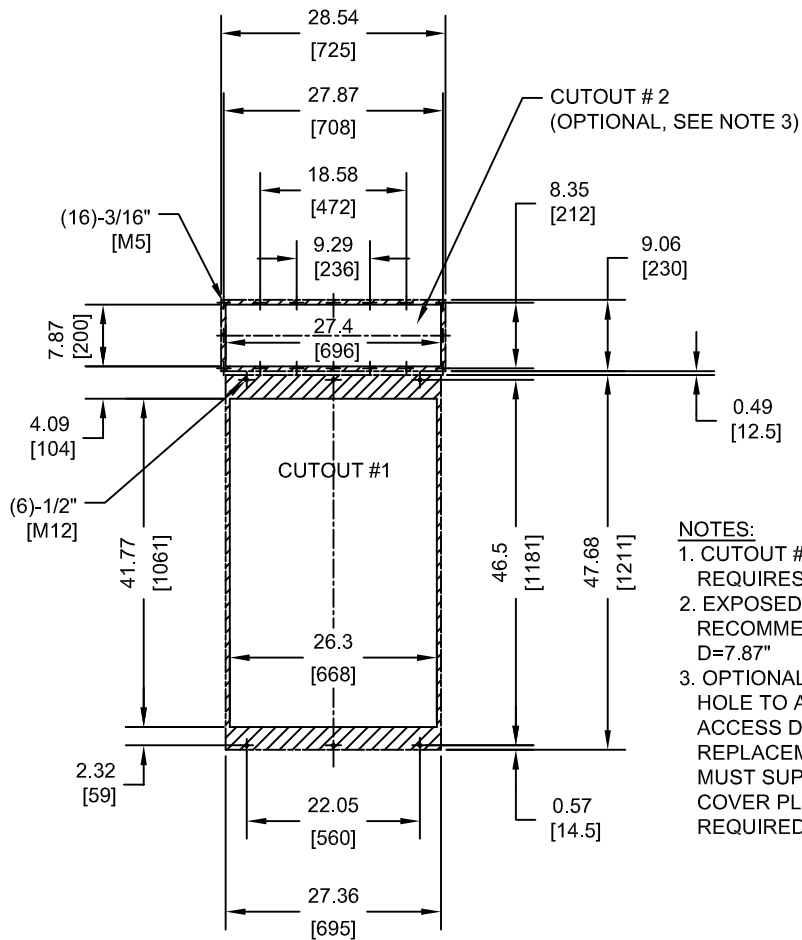
TOLERANCES / REFERENCES:		<p>THIS DOCUMENT AND INFORMATION CONTAINED IN IT ARE CONFIDENTIAL, AND CANNOT BE COPIED OR DISCLOSED IN WHOLE OR IN PART WITHOUT THE EXPRESS WRITTEN CONSENT OF YASKAWA AMERICA, INC.</p>	DRAWN: J. MATTAS	DATE: 11-13-14	TITLE: U1000 DIMENSION DRAWING FRAME SIZE 5 IP00 ENCLOSURE 4A0302, 4A0361 AND 4A0414
			CHECKED: J. PIOTROWSKI	DATE: 11-19-14	
			TECH: J. BORJA	DATE: 11-20-14	
			APPROVED: J. CAIRO	DATE: 12-11-14	
UNITS: IN[mm]	SCALE: BY VIEW	ORIGINAL DESIGN:			DRAWING #: DD.U1K.FR5.IP00
					SIZE: A REVISION: R01 PAGE: 3 of 4

MINIMUM INSTALLATION CLEARANCES (SCALE 1:25)



NOTE:
FOR SIDE-BY-SIDE MOUNTING
CONSULT MANUAL

PANEL CUTOUT FOR EXTERNAL HEATSINK
MOUNTING CONFIGURATION (SCALE 1:25)



- NOTES:
- CUTOUT #1: EXTERNAL HEATSINK, REQUIRES MOUNTING KIT
 - EXPOSED HEATSINK RECOMMENDED CLEARANCE D=7.87"
 - OPTIONAL CUTOUT #2 IS AN ACCESS HOLE TO ALLOW FOR FRONT ACCESS DURING HEATSINK COOLING FAN REPLACEMENT. THE PANEL BUILDER MUST SUPPLY THE APPROPRIATE COVER PLATE AND HARDWARE REQUIRED TO CLOSE THIS OPENING.

FOR ADDITIONAL DETAILS AND SPECIFICATIONS, CONSULT MANUAL

TOLERANCES / REFERENCES:			DRAWN: J. MATTAS CHECKED: J. PIOTROWSKI TECH: J. BORJA APPROVED: J. CAIRO ORIGINAL DESIGN: -	DATE: 11-13-14 DATE: 11-19-14 DATE: 11-20-14 DATE: 12-11-14 DATE: -	TITLE: U1000 DIMENSION DRAWING FRAME SIZE 5 IP00 ENCLOSURE 4A0302, 4A0361 AND 4A0414 SIZE: A REVISION: R01 PAGE: 4 of 4
UNITS: IN[mm]	SCALE: BY VIEW		THIS DOCUMENT AND INFORMATION CONTAINED IN IT ARE CONFIDENTIAL, AND CANNOT BE COPIED OR DISCLOSED IN WHOLE OR IN PART WITHOUT THE EXPRESS WRITTEN CONSENT OF YASKAWA AMERICA, INC.	DRAWING #: DD.U1K.FR5.IP00	